

OX1960 Series

OCXO, HCMOS, 9.7 x 7.5 x 3.9mm



- Stratum 3E OCXO
- Small size surface mount package
- Excellent frequency vs stability
- Application: 5G, AAU, RRU, Small cell, test and measurements

Output characteristics		
Parameter	Specification	Remarks/Test condition
Frequency range	10.0MHz ~ 100.0MHz	Limited frequencies available: 10MHz, 12.8MHz, 19.2MHz, 20MHz, 38.88MHz, 40MHz, 48MHz, 100MHz. Contact us for custom frequency requirement
Operating voltages	3.3V	
Output waveform	HCMOS	
Output load	15pF	
Output low voltage	0.4V min	Vcc = 3.3V, Load 15pF
Output high voltage	2.4V max	Vcc = 3.3V, Load 15pF
Frequency stability		
Initial Frequency tolerance	±1.0ppm ~ ±2.0ppm	@25°C
vs Operating temperature	±10.0ppb ~ ±100.0ppb	
Day aging	From ±2.0ppb	
Year aging	From ±500.0ppb	
Stability vs Voltage	±5.0ppb ~ ±20.0ppb	
Stability vs Load	±5.0ppb ~ ±20.0ppb	
Power consumption @ 25°C		
Warm-up power consumption	2.0W	
Warm-up time	3.0 minute max	
Stable power consumption	0.6W max	
Phase noise (Typical, @ 20.00MHz)		
10Hz	-105dBc/Hz	
100Hz	-135dBc/Hz	
1kHz	-160dBc/Hz	
10kHz	-165dBc/Hz	
100kHz	-170dBc/Hz	
1MHz	-170dBc/Hz	
Environmental characteristics		
Operable working temperature	-40°C ~ +95°C	
Storage temperature	-55°C ~ +105°C	
Vibration	Amplitude 0.75mm; acceleration: 10g; 10Hz~500Hz; a cycle per 30 min, test for 2 hr in 3 directions(X,Y,Z), IEC 68-2-06 Test Fc	
Shock	50g; 11ms; half sine wave (3 directions X,Y,X), IEC 68-2-27 test Ea/severity 50A	

ACT (A wholly owned Acal BFi Company)
+44 (0) 118 978 8878 | sales@act.co.uk | www.act.co.uk
ISO9001 Registered

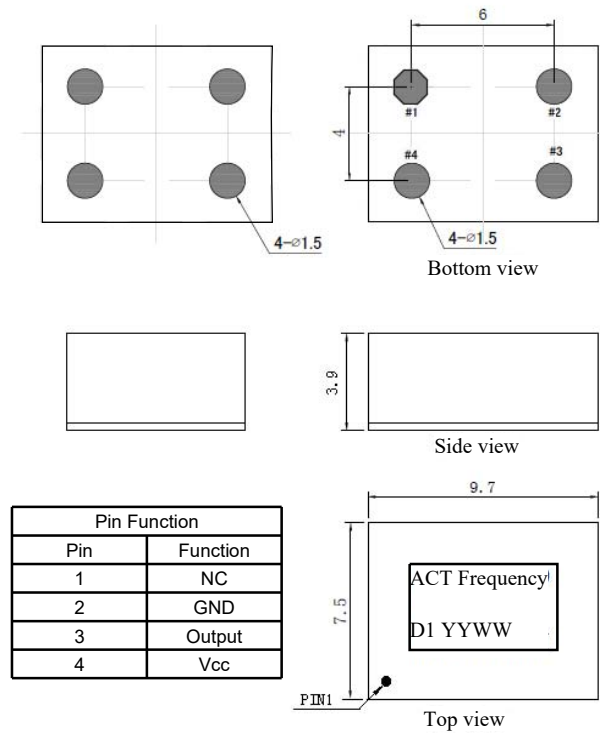
Specifications subject to change without notification

OX1960 Series

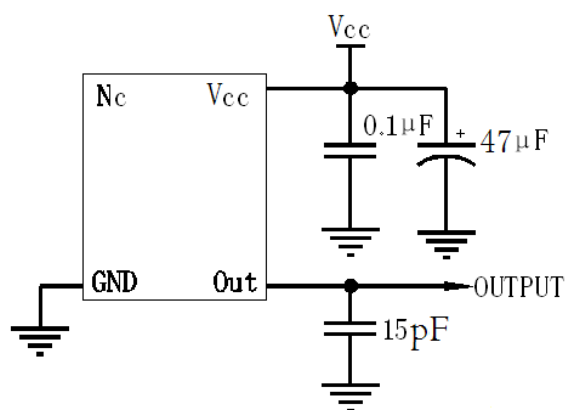
OCXO, HCMOS, 9.7 x 7.5 x 3.9mm



Mechanical dimensions and Pin functions



Test circuit (HCMOS output)

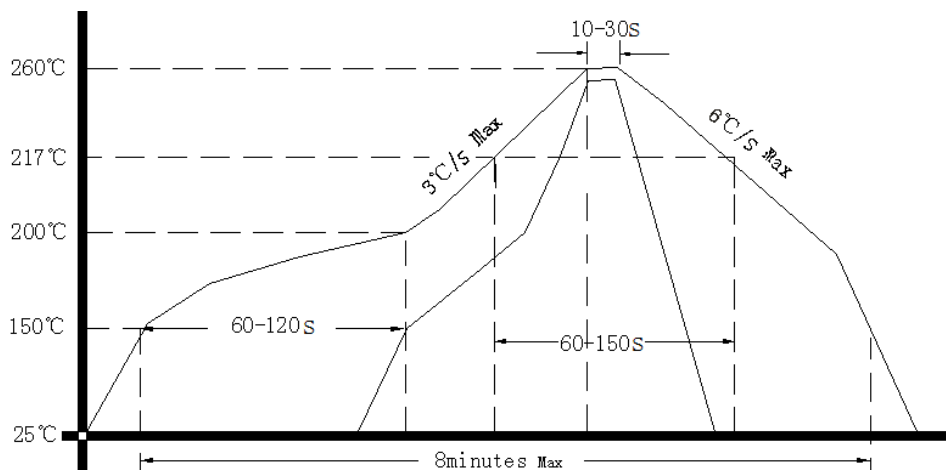


OX1960 Series

OCXO, HCMOS, 9.7 x 7.5 x 3.9mm



Reflow soldering curve (RoHS)



OCXO target specification

ACT will provide a unique part number with full specification based on your requirements, please provide the following details.

ACT series	Frequency (MHz)	Supply voltage (V)	Output type	Frequency stability (ppb)	Operating temperature range (°C)	Frequency tuning	Frequency pulling (ppm)	Central control voltage (Vc)
OX1960						Yes No		

Drawing control: (Internal use only)
 Issue number: 1
 Date : 06/10/2021
 Internal reference: D1