

## Circulators, Isolators Package Drawing

| Product Description | Package Dimensions |
|---------------------|--------------------|
| Isolator (< 1GHz)   | 5 x 5 x 2.5mm      |
| Isolator (> 1GHz)   | 5 x 5 x 2.2mm      |
| Circulator          | 5 x 5 x 2.2mm      |
| Circulator          | Ø 7.0mm            |
| Circulator          | Ø10.2 mm           |
| Circulator/Isolator | Ø12.5 mm           |
| Circulator/Isolator | Ø20.4 mm           |
| Circulator/Isolator | 25.4 x 25.4 mm     |
| Circulator/Isolator | 38.1 x 38.1 mm     |
| Circulator/Isolator | 38.8 x 31.8 mm     |

Note 1: Click on the package dimensions to jump to the drawing.

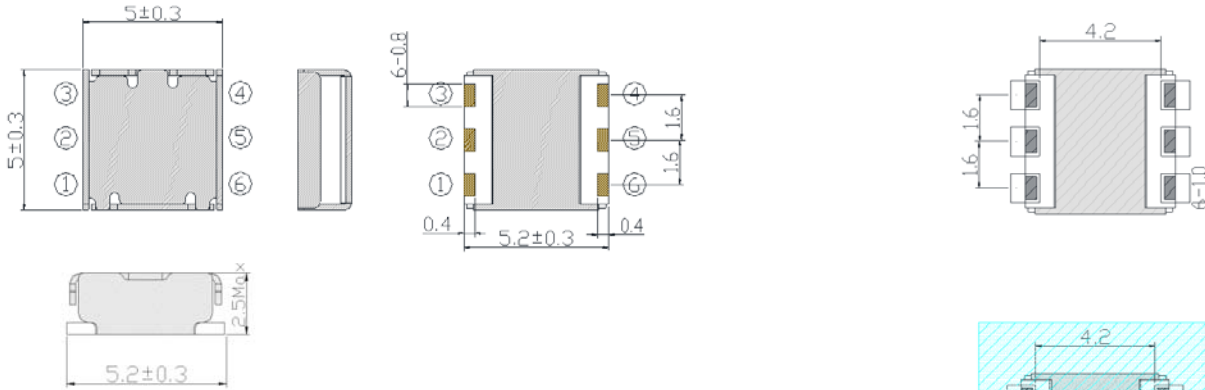
Note 2: Packages drawing shown are for reference only, Please review specific part number data sheet for exact drawing outline.

Note 3: For any other package types, please email ACT at: [sales@act.co.uk](mailto:sales@act.co.uk)

### Revision history

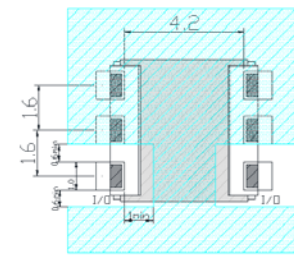
| Revision | Description | Date       | Author |
|----------|-------------|------------|--------|
| 1        | First issue | 01/07/2021 | TP     |
|          |             |            |        |

Isolator (< 1GHz) - 5 x 5 x 2.5mm



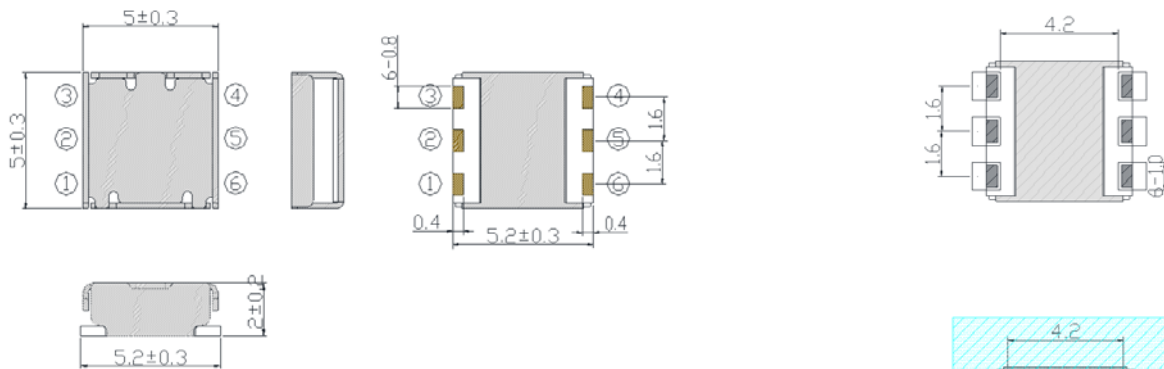
| PIN No. | A(CW) | B(CCW) |
|---------|-------|--------|
| ①       | OUT   | IN     |
| ②       | GND   | GND    |
| ③       | GND   | GND    |
| ④       | GND   | GND    |
| ⑤       | GND   | GND    |
| ⑥       | IN    | OUT    |

METAL  
 TERMINAL (AU PLATING)  
 TOLERANCE:±0.2  
 COPLANARITY:0.1MAX  
 DIMENSION UNIT:mm



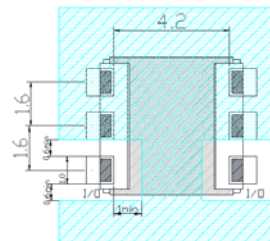
DIMENSION UNIT:mm

Isolator (> 1GHz) - 5.0 x 5.0 x 2.2mm



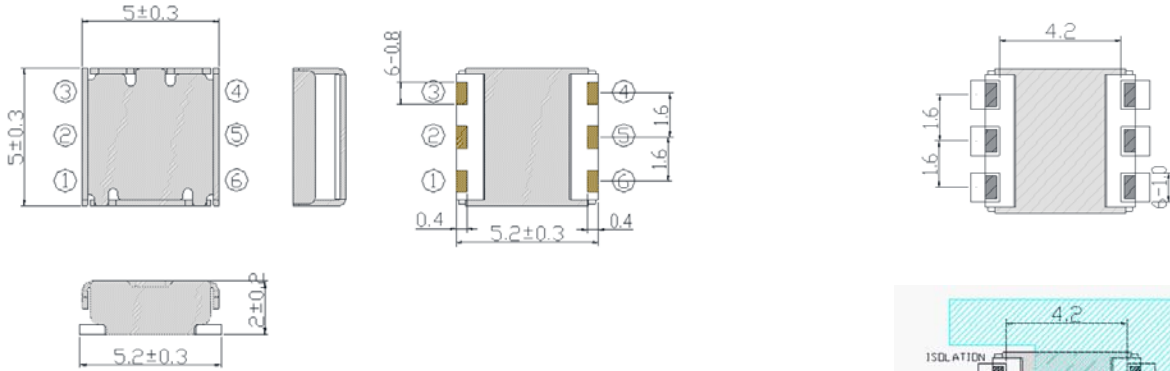
| PIN No. | A(CW) | B(CCW) |
|---------|-------|--------|
| ①       | OUT   | IN     |
| ②       | GND   | GND    |
| ③       | GND   | GND    |
| ④       | GND   | GND    |
| ⑤       | GND   | GND    |
| ⑥       | IN    | OUT    |

METAL  
 TERMINAL (AU PLATING)  
 TOLERANCE:±0.2  
 COPLANARITY:0.1MAX  
 DIMENSION UNIT:mm



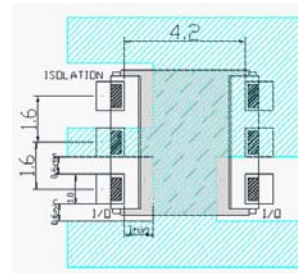
DIMENSION UNIT:mm

Circulator - 5 x 5 x 2.2mm



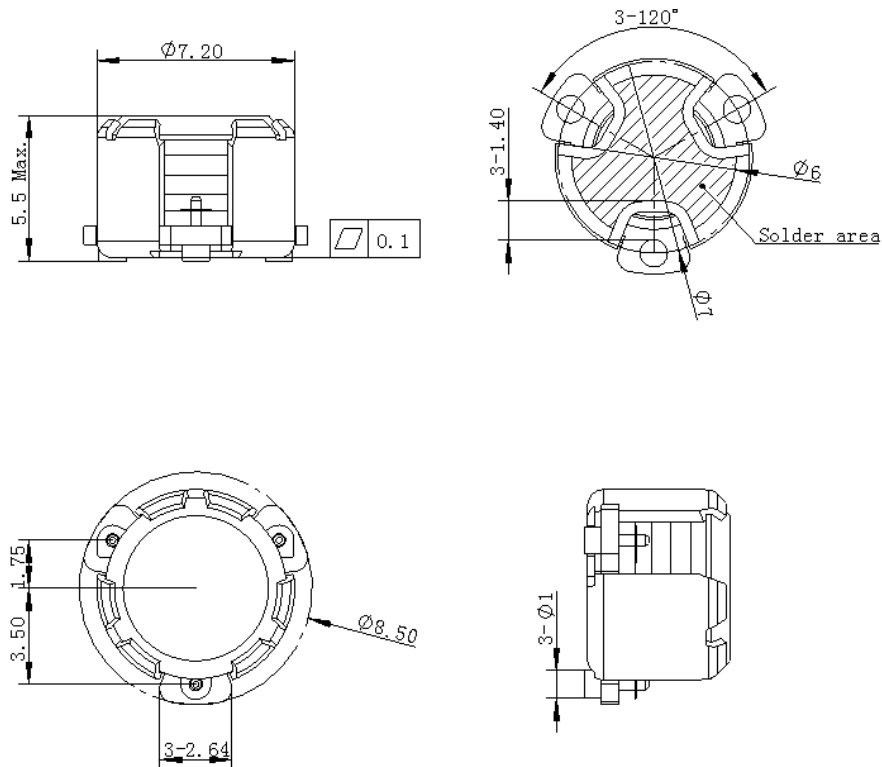
| PIN No. | A(CW)     | B(CCW) |
|---------|-----------|--------|
| ①       | OUT       | IN     |
| ②       | GND       | GND    |
| ③       | 50 Ω Load |        |
| ④       | GND       | GND    |
| ⑤       | GND       | GND    |
| ⑥       | IN        | OUT    |

METAL  
 TERMINAL (AU PLATING)  
 TOLERANCE:±0.2  
 COPLANARITY:0.1MAX  
 DIMENSION UNIT:mm

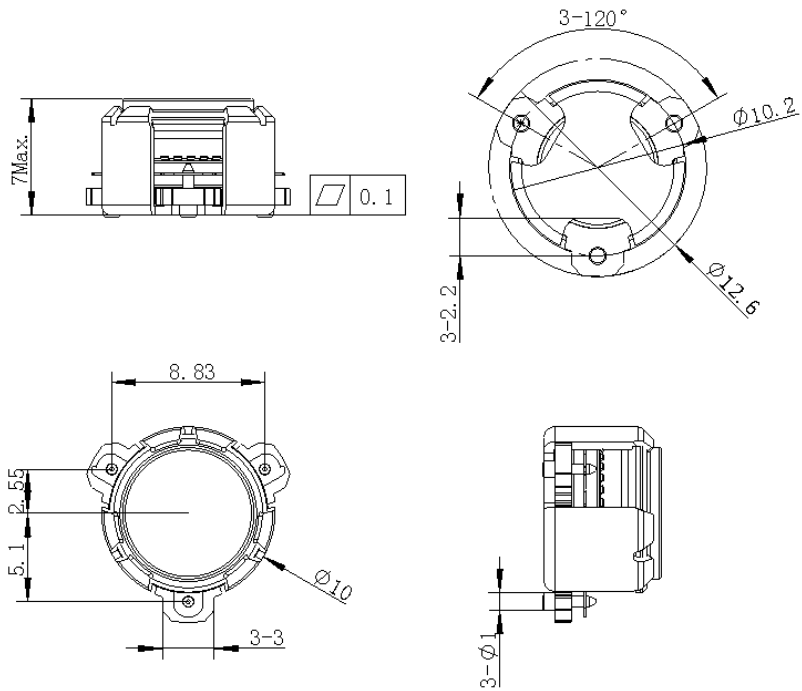


DIMENSION UNIT:mm

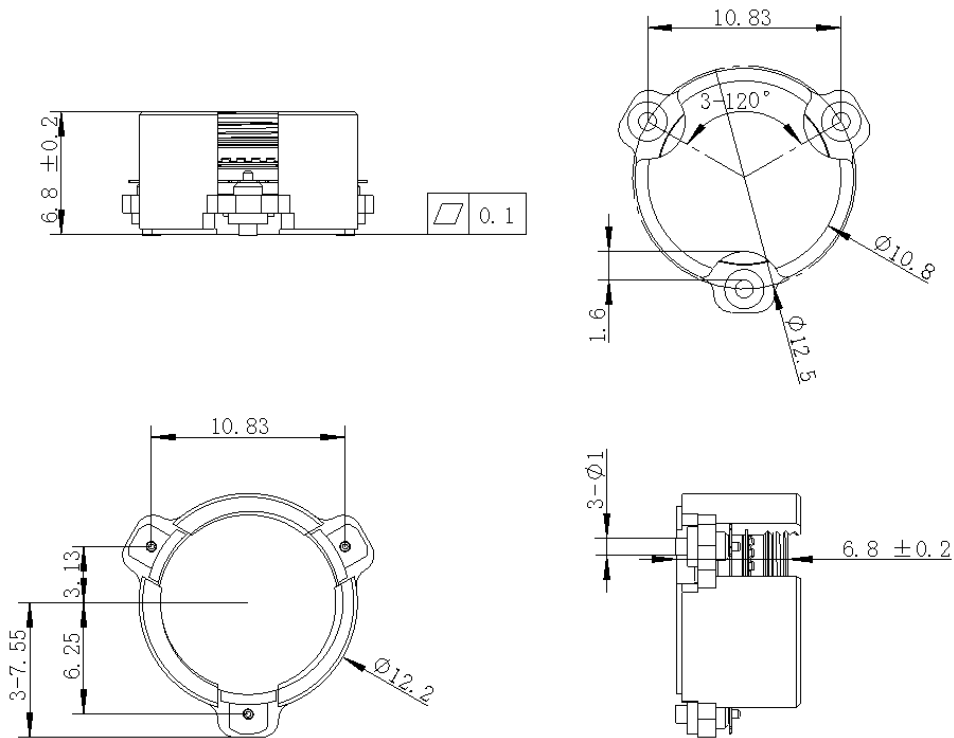
Circulator -  $\phi$  7.0mm



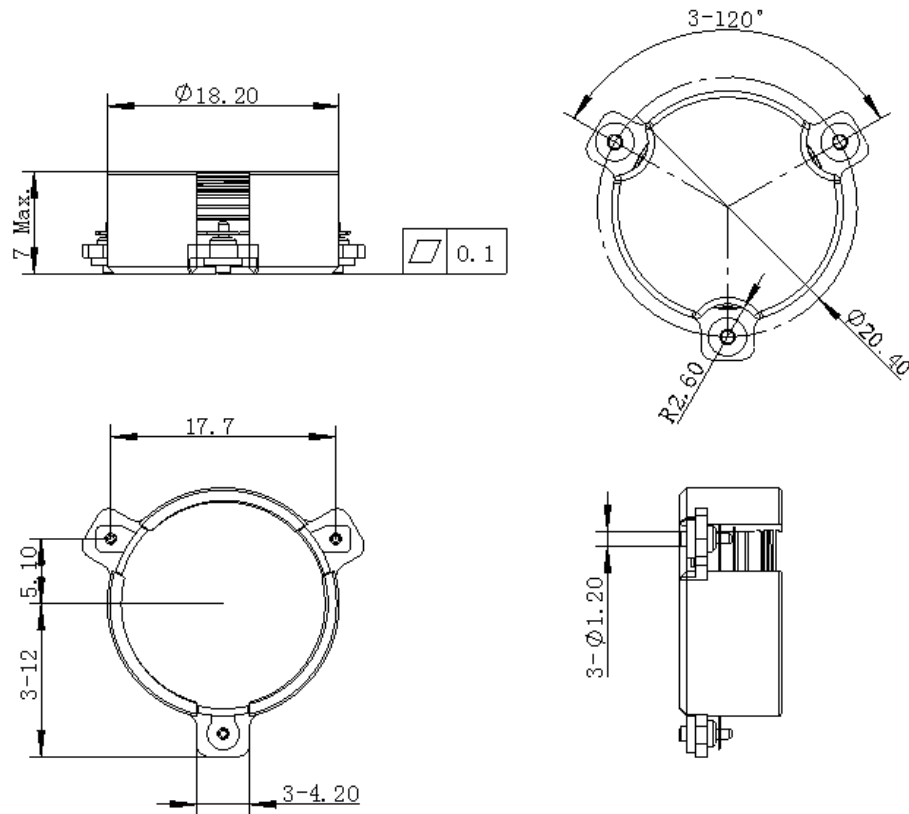
Circulator -  $\varnothing 10.2$  mm



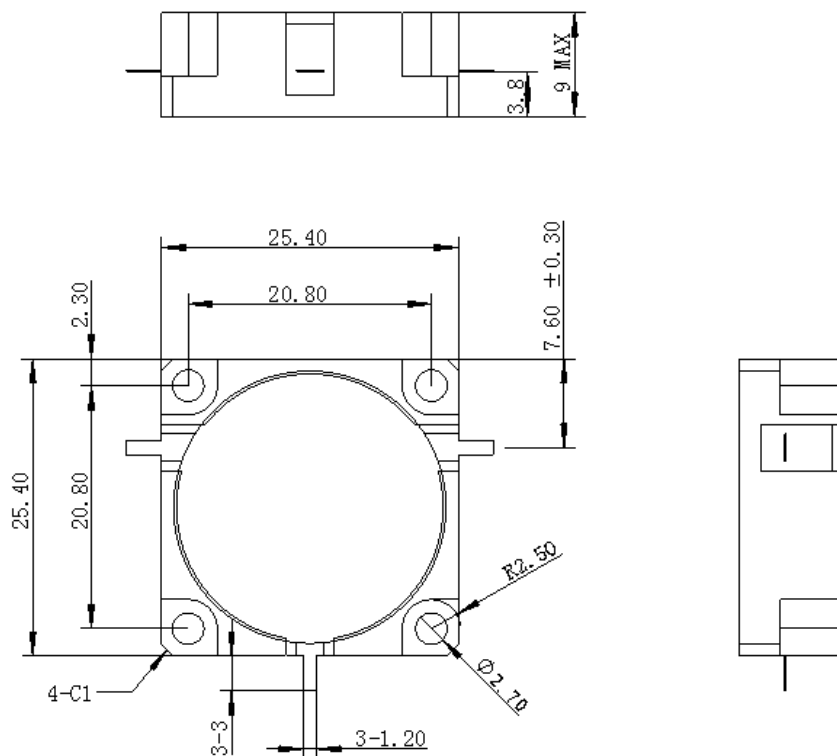
Circulator -  $\varnothing 12.5$  mm



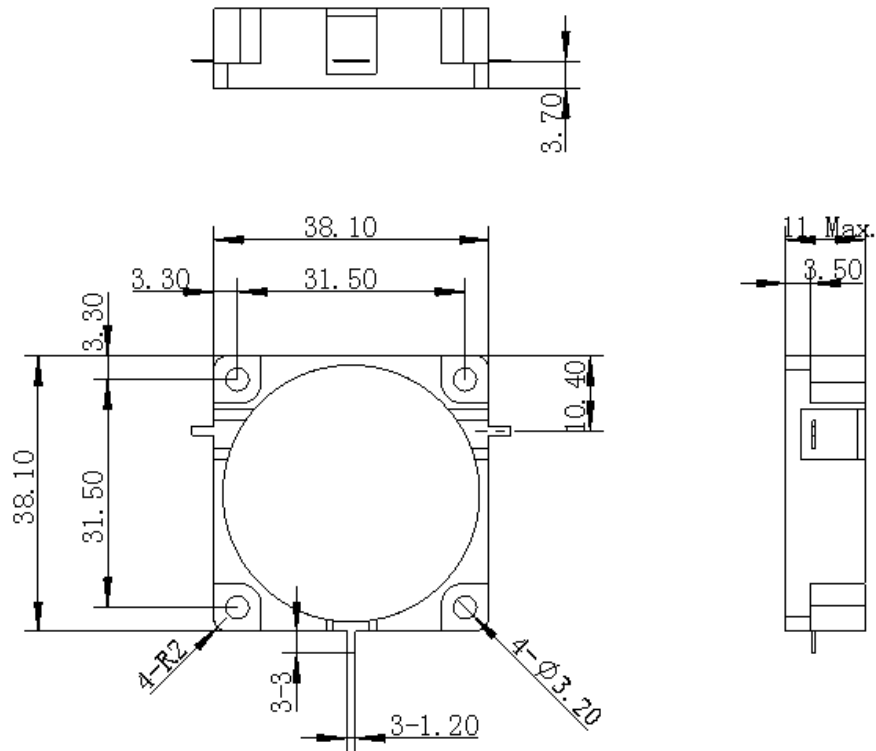
Circulator -  $\varnothing 20.4$  mm



Circulator - 25.4 x 25.4 mm



Circulator - 38.1 x 38.1 mm



Circulator - 38.8 x 31.8 mm

