

HX35 Series



3.5 x 2.2mm, high temperature Crystal unit

Operating temperature up to 200°C
High shock and vibration resistant
RoHS and REACH compliant

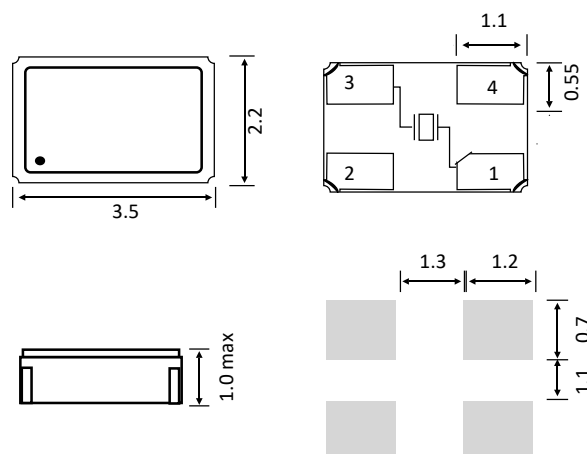
Applications
Down hole drilling, Geothermal equipment, Optical network, airborne equipment
Radio communication, Telemetry

Parameters		Specification	Remarks
Frequency range	F_nom	16.0MHz ~ 40.0MHz	Fundamental
Frequency tolerance	F_tol	±50.0ppm	Please enquire for other tolerance options
Frequency stability over operating temperature range	F_stb	±100.0ppm	over -55°C ~ +125°C
		±150.0ppm	over -55°C ~ +175°C
		±250.0ppm	over -55°C ~ +200°C
Operating temperature range	T_use	-55°C ~ +200°C max	
Storage temperature	T_stg	-55°C ~ +125°C	
Load capacitance	CL	20.0pF	Please enquire for other CL options
Equivalent series resistance	ESR	Table 1	
Shunt capacitance	C0	2.5pF max	
Drive level	DL	100.0µW typical	250.0µW max
Frequency aging	F_age	±3.0ppm at 25°C, 1 st Year	
Insulation resistance	IR	500MΩ min	
Shock resistance		10,000 g, 0.3 ms, ½ sine	
Vibration resistance		40 g / 10-2,000 Hz	

Frequency range (MHz)	ESR (max)
16.0MHz ~ 19.999MHz	200Ω
20.0MHz ~ 23.999MHz	120Ω
24.0MHz ~ 40.000MHz	100Ω

Termination type
Au flashed pads
SnAgCu solder dipped pads
Only available with operating temperature 55°C ~ +125°C and -55°C ~ +175°C

Dimensions (mm)



HX35 Series

3.5 x 2.2mm, high temperature Crystal unit



Specification requirement							
ACT Series	Frequency (MHz)	Frequency Tolerance (\pm ppm)	Frequency stability over temperature range (\pm ppm)	Load capacitance (CL -pF)	Pads	Packaging (Tape & Reel)	RoHS
HX35	8MHz 24MHz	\pm 50 Other tolerance on request)	\pm 100 over -55 ~ +125 \pm 150 over -55 ~ +175 \pm 200 over -55 ~ +200 Other Specification on request)	20pF (Other CL on request)	Au plated pads (standard) SnAgCu solder dipped pads	Loose : 128pcs/ ESD plastic tray Tape&Reel : 1k pcs or 3k pcs available in 12mm tape on 7 inch reel	RoHS = -pF

HX35/8MHz/ \pm 50ppm/ \pm 100 over -55 ~ +125C/ 20pF/ Au plated/Loose

A unique part number will be generated for each specification request. Example: HX35-2000M-Cxxxx-PF

Processing Profile

IPC/JEDEC J-STD-020C 260°C/20-40 s

Additional information

Drawing control: (Internal use only)
Commodity code: 854160 00 00
Issue number: N1
Date: 1/08/2019
Internal reference: M1

ACT (A wholly owned Acal BFi Company)
+44 (0) 118 978 8878 | sales@act.co.uk | www.act.co.uk
ISO9001 Registered

Specifications subject to change without notification