



SAW BANDPASS FILTER

PART NO.: ACTFG024-2600SA-1411

Product Type:	Customer:
SAW Filter for Band 41 Tx, Useable pass band 110MHz	
	Customer Part NO.:
	Issued Date:


Maximum Ratings

DC Voltage (between any Terminals)	V_{DC}	10	V
RF Power (in BW)	P	29 dBm max	
Operating Temperature Range	T_A	-30 ~ +85	°C
Storage Temperature Range	T_{stg}	-40 ~ +85	°C

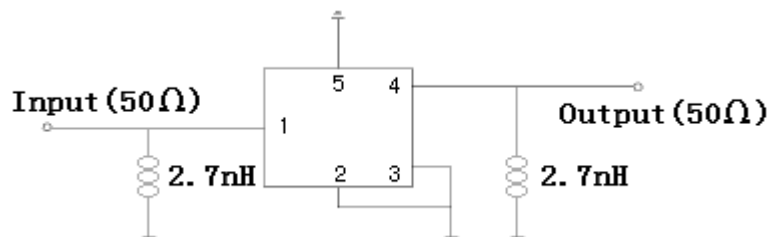
Electrical Characteristics:

Center Frequency	f_c		2600		MHz	
Insertion Loss	@2545 2575 MHz	IL		2.0	2.7	dB
	@2575 2635 MHz			1.6	2.5	
	@2635 2655 MHz			2.2	2.8	
Passband Ripple @2545 2655 MHz	Pr		0.6	1.5	dB	
VSWR@2545 2655 MHz	V_{swr}		1.5	1.8		
Absolute Attenuation	α					
DC 960.00 MHz		40	50		dB	
960 1559.00 MHz		30	40		dB	
1559.00 1606.00 MHz		30	35		dB	
1606.00 1710.00 MHz		28	33		dB	
1710.00 2170.00 MHz		27	32		dB	
2170.00 2400.00 MHz		27	30		dB	
2400.00 2421.00 MHz		30	35		dB	
2421.00 2483.00 MHz		37	40		dB	
2750.00 4900.00 MHz		30	34		dB	
4900.00 8000.00 MHz		20	29		dB	
Input / Output Impedance (Nominal)		50			Ω	

 RoHS Compliant

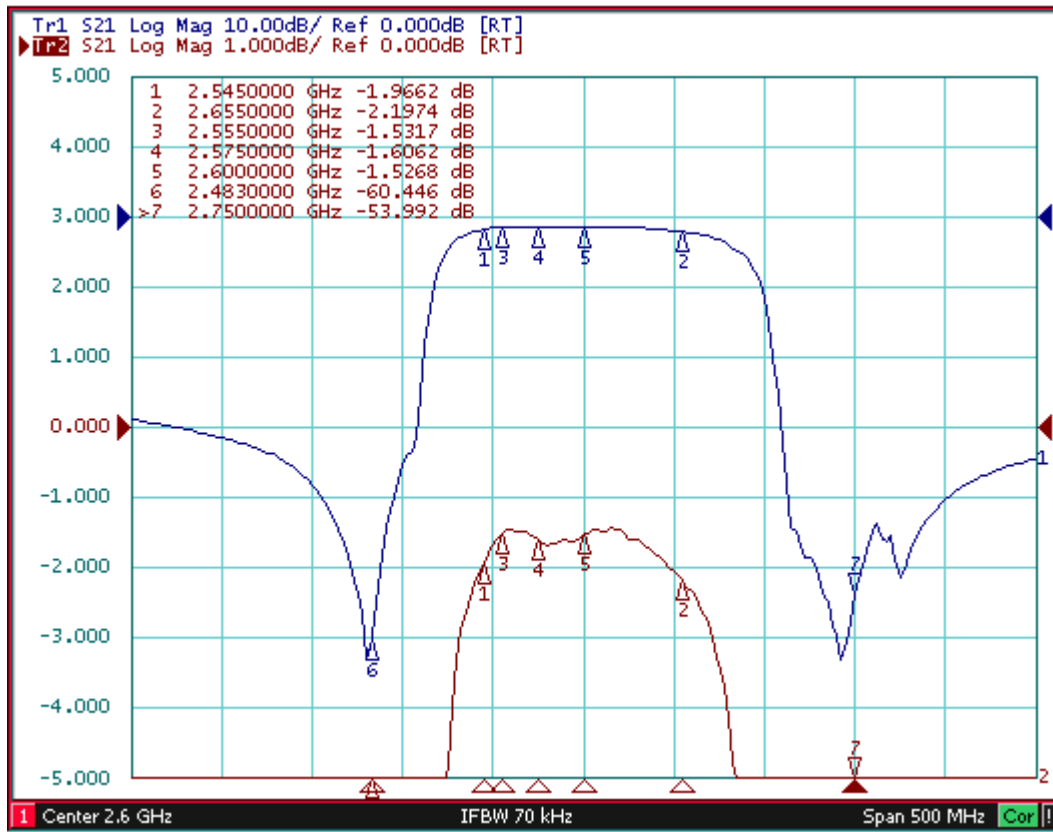
 Electrostatic Sensitive Device

Test Circuit

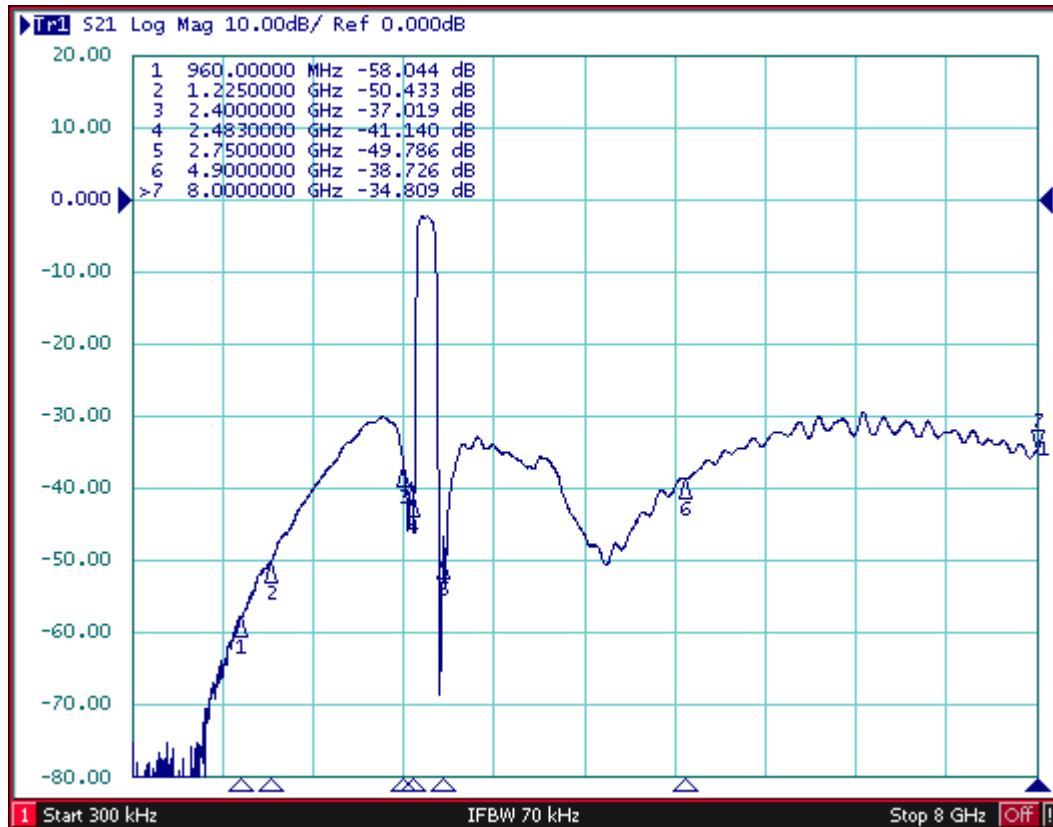


Typical Frequency Response

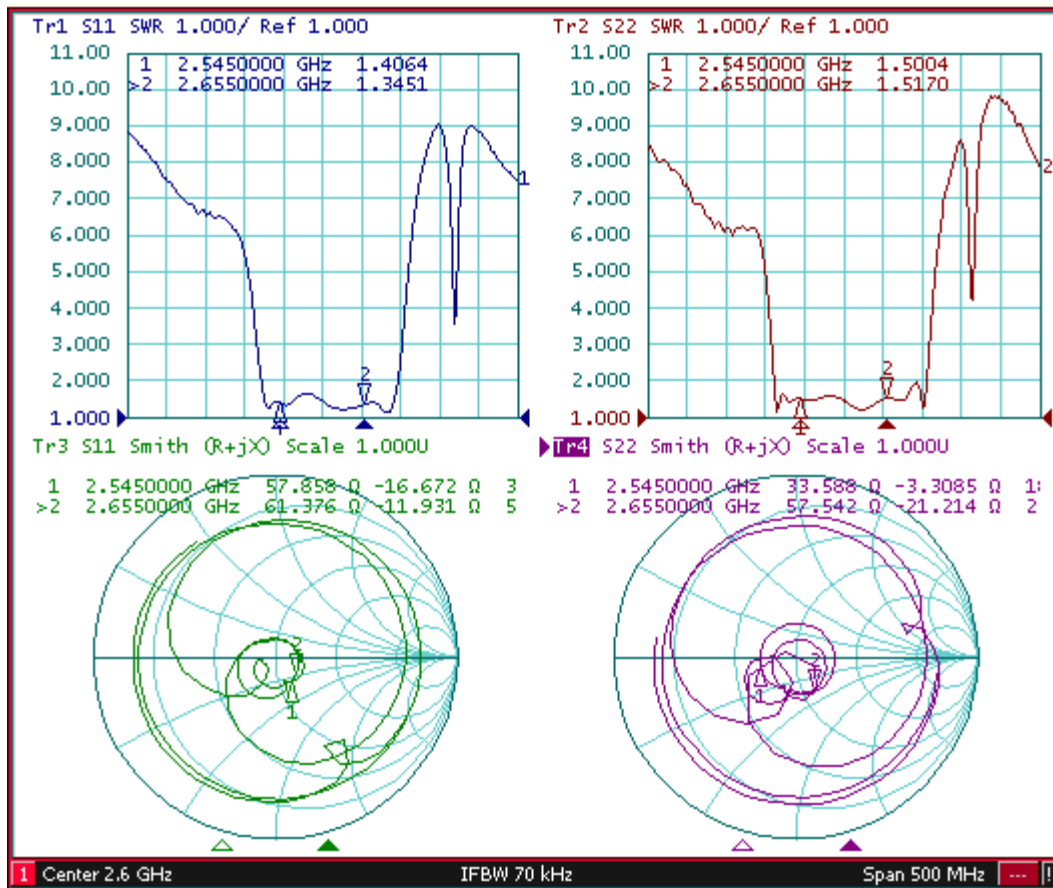
S21



Far side



VSWR





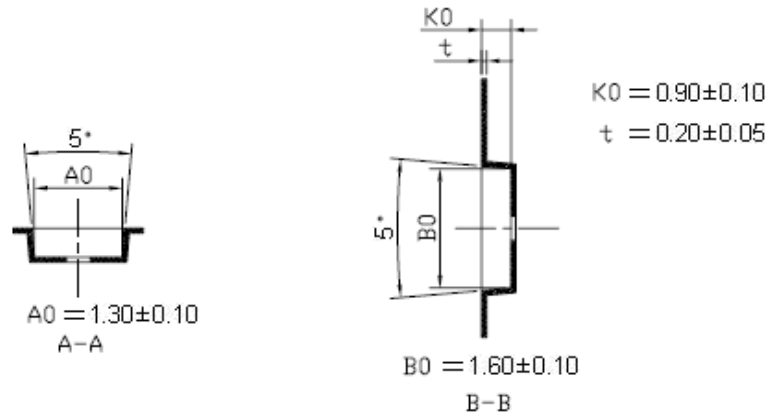
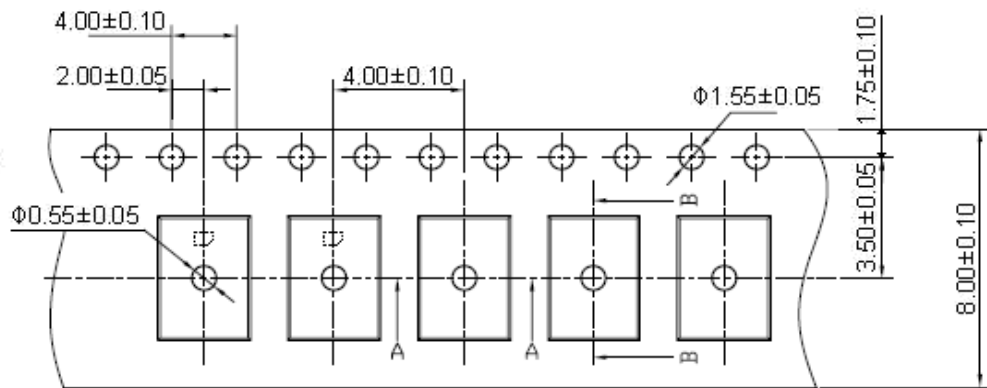
Stability Characteristics

•	Test Item	STD Reference	Test Conditions	per lot
	Preconditioning	JESD22-A113	1) Temperature Cycling, 5 cycles -40°C to 85°C; 2) Bake, 24 hrs @85±5°C; 3)Moisture Soak, Soak time and conditions per IPC/JEDEC J-STD-020 based on device MSL level; 4) Reflow, 3 reflow cycles; 5) Drying, Room ambient temperature.	All behind
1	Temperature Cycling	JESD22-A104	-40°C / +85°C,5°C/min,15min dwell,<1 min transfer time,500cycles	3*25 pcs
2	High Temperature Storage	JESD22-A103	Temperature= 85°C, 1000 hours.	3*25 pcs
3	Temperature Humidity no bias	JEDEC Std A101-B	85°C 85%RH 240 hours	3*25 pcs
4	Human Body Mode ESD	JESD22-A114	Ta=25°C, ≥100V	3 pcs
5	Charge Device Mode ESD	JESD22-C101	Ta=25°C, ≥100V	3 pcs
6	Solderability	JESD22-B102	Wetting: 245°C, 5s.	22 pcs
7	Drop Test	JESD22-B111	1500 Gs, 0.5 millisecond duration, half-sine pulse.	20 pcs
8	Mechanical Shock	JESD-47	Shock pulse of 1500g with pulse duration of 0.5+/-0.1msec (X ,Y & Z); 5 shocks per axis.	3*25 pcs

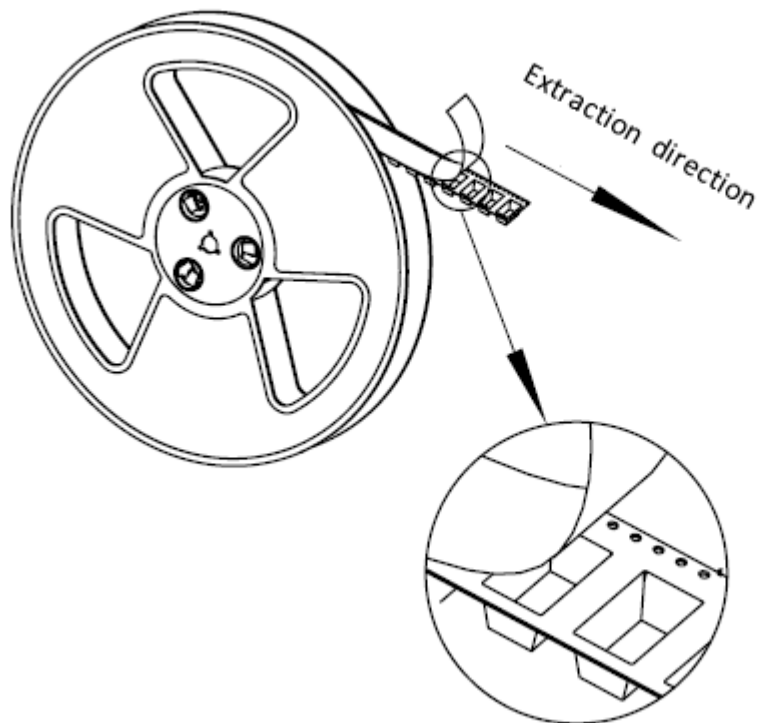
Requirements: The SAW filer shall remain within the electrical specifications after tests.

Packing Information

Carrier Tape



Reel Dimensions



Material	PS
Unit	mm
Tolerance	± 0.20 mm
Quantity	4000/reel

Outer Packing

Carton Box I	40000	240×210×285	anti-static plastic bag & carton box 1 reel / bag	1.86
Carton Box II	120000	470×310×285	10bags / box (40000 pcs) 30 bags / box (120000pcs)	5.64

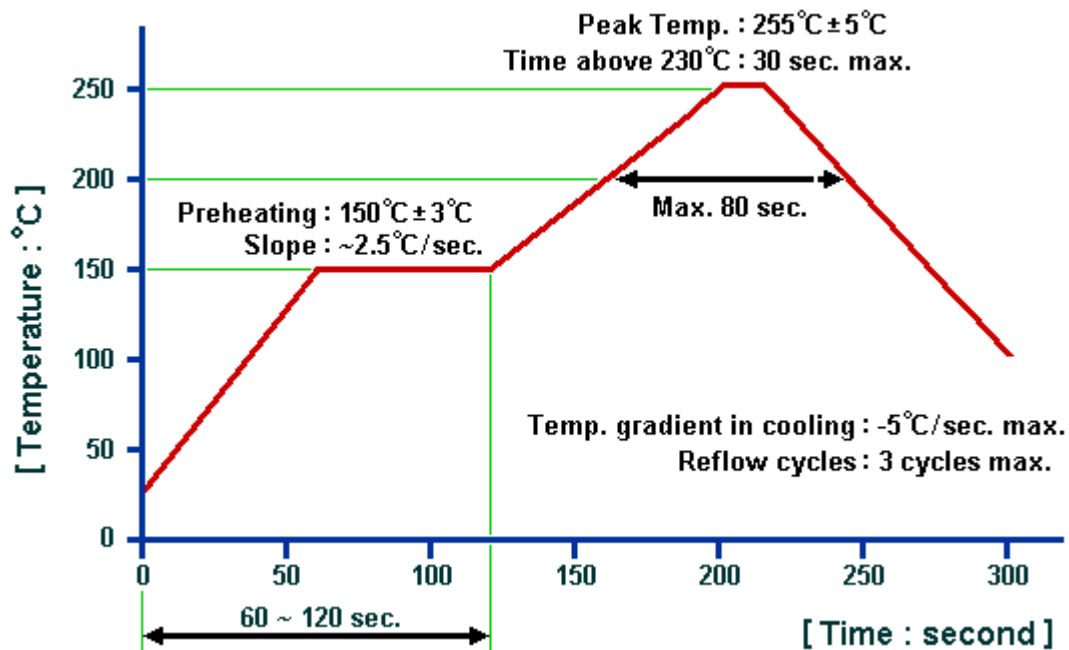
Unit: mm

Unit: kg

Remarks

- SAW devices should not be used in any type of fluid such as water, oil, organic solvent, etc.
- Be certain not to apply voltage exceeding the rated voltage of components.
- Do not operate outside the recommended operating temperature range of components.
- Sudden change of temperature shall be avoided, deterioration of the characteristics can occur.
- Be careful of soldering temperature and duration of components when soldering.
- Do not place soldering iron on the body of components.
- Be careful not to subject the terminals or leads of components to excessive force.
- SAW devices are electrostatic sensitive. Please avoid static voltage during operation and storage.
- Ultrasonic cleaning shall be avoided. Ultrasonic vibration may cause destruction of components.

Recommended Soldering Profile



© ACT 2018. All Rights Reserved.

1. The specifications of this device are subject to change or obsolescence without notice.
2. Typically, equipment utilizing this device requires emissions testing and government approval, which is the responsibility of the equipment manufacturer.
3. Our liability is only assumed for the Surface Acoustic Wave (SAW) component(s) per se, not for applications, processes and circuits implemented within components or assemblies.