

OX560 Series

OCXO, Sine wave, HCMOS, LVTTTL, 25.4 x 25.4 x 13.0mm



- Stratum 3E
- Low power consumption
- Excellent frequency vs stability

Output characteristics			
Parameter	Specification		Remarks/Test condition
Frequency range	5.0MHz ~ 100.0MHz		Limited frequencies available: 10MHz, 12.8MHz, 13MHz, 16.384MHz, 19.2MHz, 19.44MHz, 20MHz, 25.6MHz, 26MHz, 30.72MHz, 32.768MHz, 38.88MHz, 40MHz, 50MHz, 100MHz, Contact us for custom frequency requirement
Operating voltages	3.3V, 5.0V		
Output waveform	Sine wave	LVTTTL, HCMOS	
Output load	50.0Ω	15pF	
Output amplitude (dBm) Peak-Peak(V)	5.0dBm 1.1V	-	
	8.0dBm 1.6V	-	
Harmonic	≤-40.0dBc	-	
Stray	≤-75.0dBc	-	
Frequency stability (Typical, @ 10.00MHz)			
Vs Operating temperature	±3.0ppb ~ ±10.0ppb		Table 1
Day aging	±0.5ppb ~ ±1.0ppb		Table 1
Year aging	±50.0ppb		Table 1
Stability vs. Voltage	±1.0ppb ~ ±3.0ppb		Table 1
Stability vs. Load	±1.0ppb ~ ±3.0ppb		Table 1
Short-term stability	0.01ppb/S		In stable temp. Without EMI/MEC or other interferences, test at 25°C after power on for one hour
Power consumption @ 25°C			
Warm-up power consumption	3.0W		
Warm-up time	2.0 min max		
Stable power consumption	1.5W max		
Voltage control characteristics			
Frequency pulling range (min)	±0.3ppm~±0.5ppm, ±0.5ppm~±0.8ppm, ±0.7ppm~±1.0ppm, ±1.0ppm ~ ±1.5ppm		
Central control voltage	1.65V, 2.5V		
Linearity	≤10%		Positive slope
Phase noise (Typical, @ 10.00MHz)			
10Hz	-120dBc/Hz		
100Hz	-140dBc/Hz		
1kHz	-150dBc/Hz		
10kHz	-152dBc/Hz		
100kHz	-155dBc/Hz		
Environmental characteristics			
Operable working temperature	-40°C ~ +85°C		
Storage temperature	-55°C ~ +105°C		
Vibration	Amplitude 0.75mm; acceleration: 10g; 10Hz~500Hz; a cycle per 30 min, test for 2 hr in 3 directions(X,Y,Z), IEC 68-2-06 Test Fc.		
Shock	50g; 11ms; half sine wave (3 directions X,Y,X), IEC 68-2-27 Test Ea/Severity 50A		

OX560 Series

OCXO, Sine wave, HCMOS, LVTTTL, 25.4 x 25.4 x 13.0mm

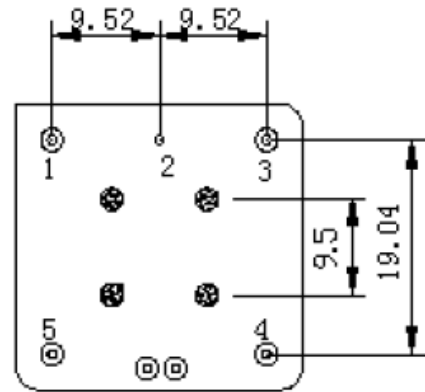


Table 1: Frequency stability selection (Typical, @ 10.00MHz)

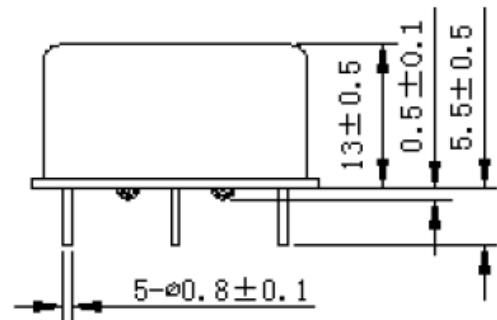
Temperature (°C)	Temperature stability (ppb)	Day-aging (ppb)	Year-aging (ppb)	Stability vs. Voltage (ppb)	Stability vs. Load (ppb)
-20°C ~ +70°C	±3.0	±0.5	±50.0	±1.0	±1.0
-20°C ~ +70°C	±5.0	±0.5	±50.0	±1.0	±1.0
-20°C ~ +70°C	±10.0	±1.0	±50.0	±3.0	±3.0
-30°C ~ +75°C	±3.0	±0.5	±50.0	±1.0	±1.0
-30°C ~ +75°C	±5.0	±0.5	±50.0	±1.0	±1.0
-30°C ~ +75°C	±10.0	±1.0	±50.0	±3.0	±3.0
-40°C ~ +85°C	±3.0	±0.5	±50.0	±1.0	±1.0
-40°C ~ +85°C	±5.0	±0.5	±50.0	±1.0	±1.0
-40°C ~ +85°C	±10.0	±1.0	±50.0	±3.0	±3.0

Mechanical dimensions and Pin functions

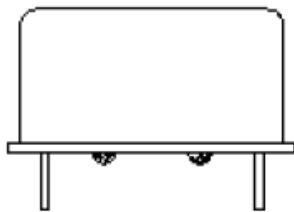
Bottom view



Side view



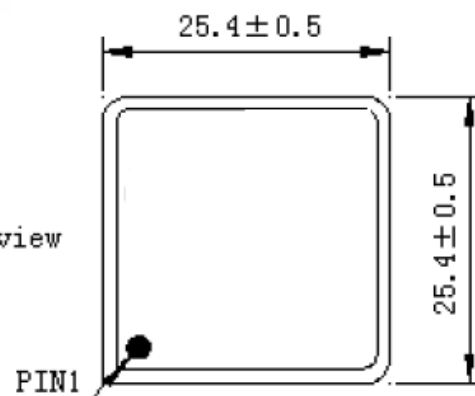
Right view



PIN FUNCTION

PIN	NOTATION	FUNCTION
1	OUTPUT	RF Output
2	GND	GND
3	NC	Not Connect
4	NC	Not Connect
5	VCC	Supply Voltage

Top view

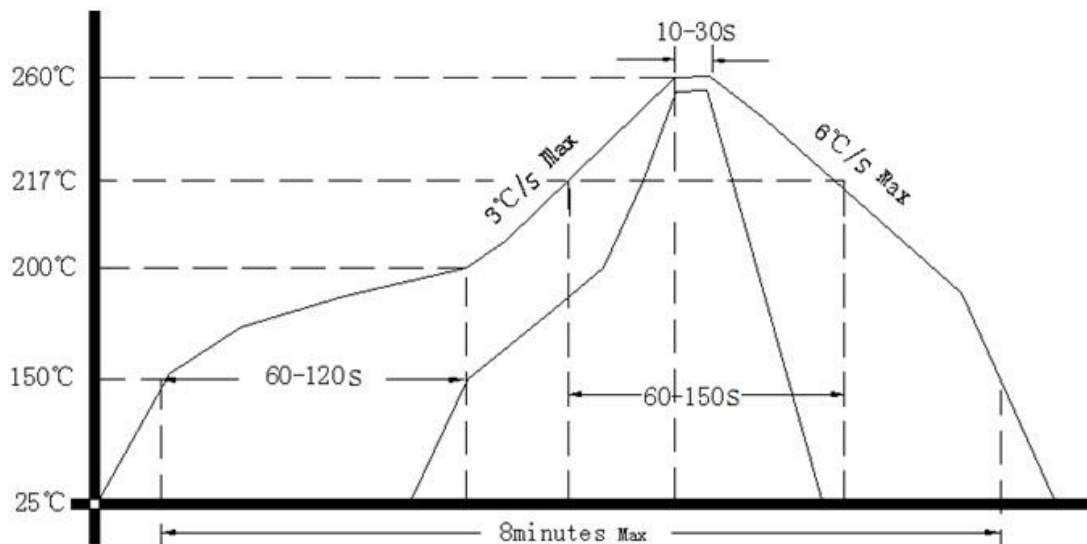


OX560 Series

OCXO, Sine wave, HCMOS, LVTTTL, 25.4 x 25.4 x 13.0mm



Reflow soldering curve (RoHS)



ACT part number

ACT will provide a unique part number with full specification based on your requirements, please provide the following details.

ACT series	Frequency (MHz)	Supply voltage (V)	Output type	Frequency stability (ppb)	Operating temperature range (°C)	Frequency tuning	Frequency pulling (ppm)	Central control voltage (Vc)
OX560						Yes No		

Drawing control: (Internal use only)
 Issue number: 1
 Date: 01/06/2017
 Internal reference: D1

ACT (A wholly owned Acal BFi Company)
+44 (0) 118 978 8878 | sales@act.co.uk | www.act.co.uk
ISO9001 Registered
 Specifications subject to change without notification