

# OX1260 Series



OCXO, Sine wave, HCMOS, 20.4 x 12.7 x 10.7mm (14pin DIL package, SMD)

- Stratum 3E
- Small size surface mount package
- Excellent frequency vs stability
- Tighter aging options are available

Output characteristics			
Parameter	Specification		Remarks/Test condition
Frequency range	5.0MHz ~ 100.0MHz		Limited frequencies available: 10MHz, 12.8MHz, 13MHz, 15MHz, 16.32MHz, 16.384MHz, 19.2MHz, 19.44MHz, 20MHz, 25.0MHz, 26MHz, 30.72MHz, 32.768MHz, 38.88MHz, 40MHz, 50MHz, 100MHz Contact us for custom frequency requirement
Operating voltages	3.3V		
Output waveform	Sine wave	HCMOS	
Output load	50.0Ω	15pF	
Output amplitude (dBm)   Peak-Peak(V)	5.0dBm   1.1V	-	
	8.0dBm   1.6V	-	
Harmonic	≤-40.0dBc	-	
Spurious	≤-75.0dBc	-	
Frequency stability (Typical, @ 10.00MHz)			
vs Operating temperature	±5.0ppb ~ ±50.0ppb		Table 1
Day aging	±1.0ppb ~ ±5.0ppb		Table 1
Year aging	±100.0ppb ~ ±500.0ppb		Table 1
Stability vs Voltage	±5.0ppb ~ ±20.0ppb		Table 1
Stability vs Load	±5.0ppb ~ ±20.0ppb		Table 1
Short-term stability	0.1ppb/S		In stable temp. Without EMI/MEC or other interferences, test at 25°C after power on for one hour
Power consumption @ 25°C			
Warm-up power consumption	2.0W		
Warm-up time	2.0 minute max		
Stable power consumption	0.6W max		
Voltage control characteristics			
Frequency pulling range (min)	±5.0ppm~±10.0ppm		
Central control voltage	1.65V, 2.5V		
Linearity	≤10%		Positive slope
Phase noise (Typical, @ 10.00MHz)			
10Hz	-100dBc/Hz		
100Hz	-130dBc/Hz		
1kHz	-150dBc/Hz		
10kHz	-150dBc/Hz		
100kHz	-150dBc/Hz		
1MHz	-155dBc/Hz		
Environmental characteristics			
Operable working temperature	-40°C ~ +105°C		
Storage temperature	-55°C ~ +105°C		
Vibration	Amplitude 0.75mm; acceleration: 10g; 10Hz~500Hz; a cycle per 30 min, test for 2 hr in 3 directions(X,Y,Z), IEC 68-2-06 Test Fc		
Shock	50g; 11ms; half sine wave (3 directions X,Y,X), IEC 68-2-27 Test Ea/Severity 50A		

# OX1260 Series

OCXO, Sine wave, HCMOS, 20.4 x 12.7 x 10.7mm (14pin DIL package, SMD)

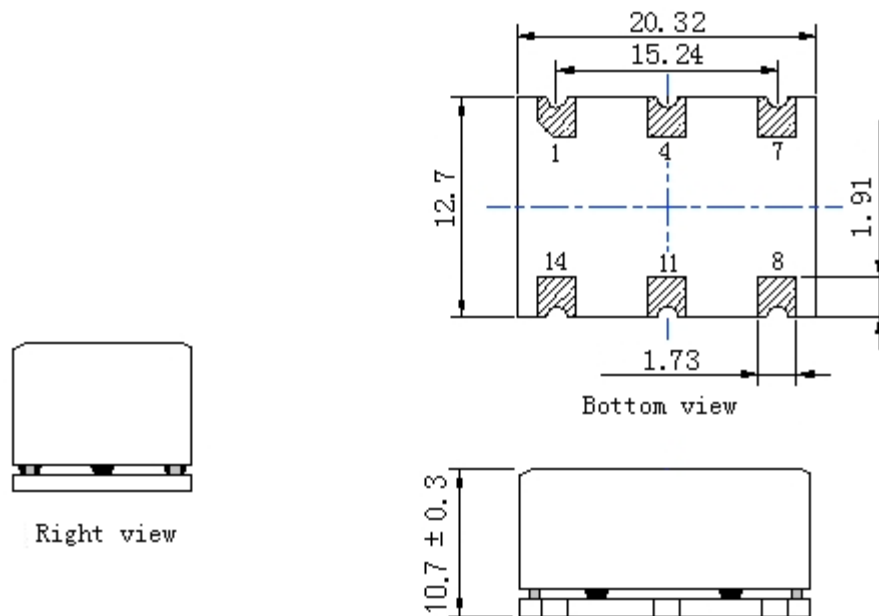


Table 1: Frequency stability selection (Typical, @ 10.00MHz)

Temperature (°C)	Temperature stability (ppb)	Day-aging (ppb)	Year-aging (ppb)	Stability vs. Voltage (ppb)	Stability vs. Load (ppb)
-20°C ~ +70	±5.0	±1.0	±100.0	±5.0	±5.0
-20°C ~ +70	±10.0	±1.0	±100.0	±10.0	±10.0
-20°C ~ +70	±50.0	±5.0	±500.0	±20.0	±20.0
-30°C ~ +75	±5.0	±1.0	±100.0	±5.0	±5.0
-30°C ~ +75	±10.0	±1.0	±100.0	±10.0	±10.0
-30°C ~ +75	±50.0	±5.0	±500.0	±20.0	±20.0
-40°C ~ +85	±5.0	±1.0	±100.0	±5.0	±5.0
-40°C ~ +85	±10.0	±1.0	±100.0	±10.0	±10.0
-40°C ~ +85	±25.0	±5.0	±500.0	±20.0	±20.0p
-40°C ~ +85	±50.0	±5.0	±500.0	±20.0	±20.0

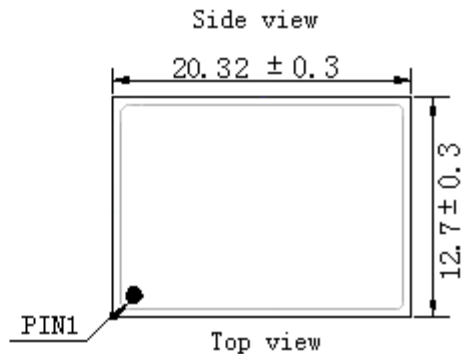
Note: Tighter aging options : ±1.0ppb day aging and ±100.0ppb year aging available for limited frequency, please enquire

## Mechanical dimensions and Pin functions



### PIN FUNCTION

PIN	NOTATION	FUNCTION
1	NC	Not Connect
4	NC	Not Connect
7	GND	GND
8	OUTPUT	RF Output
11	NC	Not Connect
14	VCC	Supply Voltage

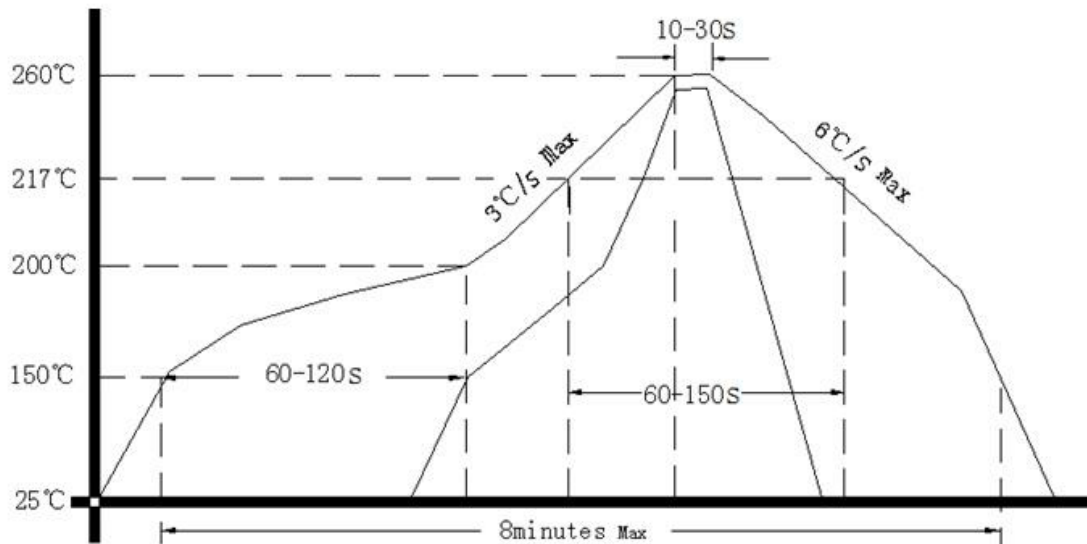


# OX1260 Series

OCXO, Sine wave, HCMOS, 20.4 x 12.7 x 10.7mm (14pin DIL package, SMD)



## Reflow soldering curve (RoHS)



## ACT part number

ACT will provide a unique part number with full specification based on your requirements, please provide the following details.

ACT series	Frequency (MHz)	Supply voltage (V)	Output type	Frequency stability (ppb)	Operating temperature range (°C)	Frequency tuning	Frequency pulling (ppm)	Central control voltage (Vc)
OX 1260						Yes No		

Drawing control: (Internal use only)  
 Issue number: 1  
 Date: 01/06/2017  
 Internal reference: D1

**ACT (A wholly owned Acal BFi Company)**  
 +44 (0) 118 978 8878 | sales@act.co.uk | www.act.co.uk  
**ISO9001 Registered**  
 Specifications subject to change without notification